



**John
BOOS**
Since 1887

ITEM #: _____ QTY: _____
 MODEL #: _____
 PROJECT NAME: _____

050922

3601 S. Banker St. Effingham, IL 62401 • P.O. BOX 609 • Ph: (888) 431-2667 • Fax: (800) 433-2667

"BHS1" WALL SHELVES - STAINLESS STEEL



W/ 1.5" REAR RISER

FEATURES:

- TYPE 300 STAINLESS STEEL W/ #4 POLISH, SATIN FINISH
- FINISHED W/ A SAFETY STALLION FRONT EDGE
- 1-1/2" TURNED UP BACKSPLASH
- 12" OR 16" DEPTH
- SHIPPED KNOCKED-DOWN, EASY-TO-ASSEMBLE (MOST SHIP UPS)
- ALL MODELS ARE NSF CERTIFIED

MATERIAL:

- SHELF: TYPE 300 STAINLESS STEEL W/ #4 POLISH, SATIN FINISH
- BRACKETS: TYPE 300 STAINLESS STEEL W/ #4 POLISH, SATIN FINISH



* (ASTERISK) DENOTES
3 SUPPORT BRACKETS

CONSTRUCTION:

- STAINLESS STEEL SHELVES ARE MIG WELDED
- EXPOSED WELDS ARE POLISHED TO MATCH ADJACENT SURFACE

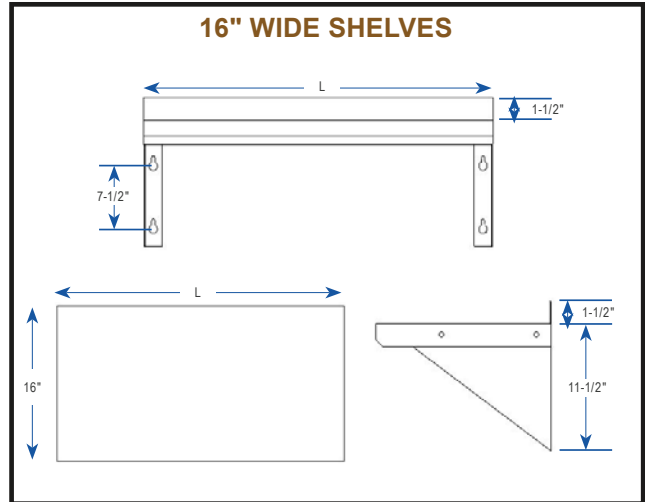
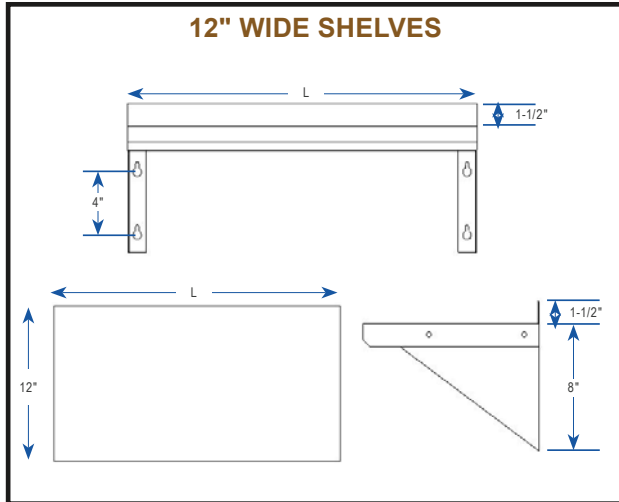
12" WIDE STAINLESS STEEL WALL SHELVES

18 GAUGE	QTY	16 GAUGE	QTY	14 GAUGE	QTY
BHS1224		BHS1224-16/304		BHS1224-14/304	
BHS1230		BHS1230-16/304		BHS1230-14/304	
BHS1236		BHS1236-16/304		BHS1236-14/304	
BHS1248		BHS1248-16/304		BHS1248-14/304	
BHS1260		BHS1260-16/304		BHS1260-14/304	
BHS1272 *		BHS1272-16/304		BHS1272-14/304	
BHS1284 *		BHS1284-16/304 *		BHS1284-14/304 *	
BHS1296 *		BHS1296-16/304 *		BHS1296-14/304 *	
BHS12108 *		BHS12108-16/304 *		BHS12108-14/304 *	
BHS12120 *		BHS12120-16/304 *		BHS12120-14/304 *	
BHS12132 *		BHS12132-16/304 *		BHS12132-14/304 *	
BHS12144 *		BHS12144-16/304 *		BHS12144-14/304 *	

16" WIDE STAINLESS STEEL WALL SHELVES

18 GAUGE	QTY	16 GAUGE	QTY	14 GAUGE	QTY
BHS1624		BHS1624-16/304		BHS1624-14/304	
BHS1630		BHS1630-16/304		BHS1630-14/304	
BHS1636		BHS1636-16/304		BHS1636-14/304	
BHS1648		BHS1648-16/304		BHS1648-14/304	
BHS1660		BHS1660-16/304		BHS1660-14/304	
BHS1672 *		BHS1672-16/304		BHS1672-14/304	
BHS1684 *		BHS1684-16/304 *		BHS1684-14/304 *	
BHS1696 *		BHS1696-16/304 *		BHS1696-14/304 *	
BHS16108 *		BHS16108-16/304 *		BHS16108-14/304 *	
BHS16120 *		BHS16120-16/304 *		BHS16120-14/304 *	
BHS16132 *		BHS16132-16/304 *		BHS16132-14/304 *	
BHS16144 *		BHS16144-16/304 *		BHS16144-14/304 *	

DETAILED SPECIFICATIONS



12" WIDE STAINLESS STEEL WALL SHELVES

LENGTH	18 GAUGE	WT. (LBS)	16 GAUGE	WT. (LBS)	14 GAUGE	WT. (LBS)
24"	BHS1224	9	BHS1224-16/304	12	BHS1224-14/304	16
30"	BHS1230	11	BHS1230-16/304	14	BHS1230-14/304	18
36"	BHS1236	12	BHS1236-16/304	15	BHS1236-14/304	20
48"	BHS1248	16	BHS1248-16/304	18	BHS1248-14/304	24
60"	BHS1260	21	BHS1260-16/304	21	BHS1260-14/304	27
72"	BHS1272 *	25	BHS1272-16/304	24	BHS1272-14/304	30
84"	BHS1284 *	29	BHS1284-16/304 *	30	BHS1284-14/304	35
96"	BHS1296 *	33	BHS1296-16/304 *	34	BHS1296-14/304 *	40
108"	BHS12108 *	36	BHS12108-16/304 *	38	BHS12108-14/304 *	45
120"	BHS12120 *	39	BHS12120-16/304 *	43	BHS12120-14/304 *	49
132"	BHS12132 *	43	BHS12132-16/304	48	BHS12132-14/304 *	53
144"	BHS12144 *	46	BHS12144-16/304 *	52	BHS12144-14/304 *	57

16" WIDE STAINLESS STEEL WALL SHELVES

LENGTH	18 GAUGE	WT. (LBS)	16 GAUGE	WT. (LBS)	14 GAUGE	WT. (LBS)
24"	BHS1624	10	BHS1624-16/304	14	BHS1624-14/304	17
30"	BHS1630	12	BHS1630-16/304	15	BHS1630-14/304	20
36"	BHS1636	14	BHS1636-16/304	17	BHS1636-14/304	23
48"	BHS1648	18	BHS1648-16/304	21	BHS1648-14/304	28
60"	BHS1660	24	BHS1660-16/304	26	BHS1660-14/304	33
72"	BHS1672*	30	BHS1672-16/304	30	BHS1672-14/304	38
84"	BHS1684*	34	BHS1684-16/304*	36	BHS1684-14/304*	45
96"	BHS1696*	38	BHS1696-16/304*	40	BHS1696-14/304*	50
108"	BHS16108*	43	BHS16108-16/304*	44	BHS16108-14/304*	55
120"	BHS16120*	48	BHS16120-16/304*	48	BHS16120-14/304*	60
132"	BHS16132*	53	BHS16132-16/304*	52	BHS16132-14/304*	65
144"	BHS16144*	58	BHS16144-16/304*	56	BHS16144-14/304*	70

SOME UNITS SHIP UNASSEMBLED FOR REDUCED SHIPPING COST. ALL DIMENSIONS ARE TYPICAL. TOLERANCE +/- .500"

John Boos & Co. is constantly engaged in a program of improving products and therefore reserves the right to change specifications without prior notice.



3601 S. Banker St. • Effingham, IL 62401 • PO BOX 609 • quotes@johnboos.com

www.johnboos.com

050922

199